



WHO WE ARE



>1000
Projects



> 300
Engineers & Specialists



> 140 years
of Experience

✓ CRYOTEC Anlagenbau GmbH was founded in 1995 and has been part of the EPC Group since 2009. The company, which specializes in technical gases, is based in Wurzen, Saxony. There CRYOTEC has about 2,000 m² of production area and more than 5,000 m² warehouse space for the implementation of its worldwide projects.

✓ CRYOTEC Anlagenbau GmbH is a specialist for cryogenic and technical gases such as LIN, LOX, GOX; GN; medical oxygen, Ar, He, CO₂, LNG and CNG.

A Member of **EPC GROUP**



- Polymers & Fibers
- Chemistry & Specialty Chemistry
- Renewable Energies
- Biotechnologies
- Engineering Services & Infrastructure
- Pharmaceuticals & Fine Chemistry



- Construction Engineering
- Infrastructure
- Building & Civil Engineering
- Project Management
- Technical Building Equipment



- Building Automation
- E/I&C Technology
- Electrical Engineering & Telecommunications
- Ventilation & Air-Conditioning Systems
- Heating & Sanitary Systems



- Cryogenic Systems
- Systems for Compression & Liquefaction of Gases
- Air Separation Systems
- High Purity N₂ Generation
- CO₂ Recovery



SPECIALISTS IN TECHNICAL GASES



MODULAR SYSTEMS



PLANT CONSTRUCTION



AFTER SALES SERVICES

IDEAS INSIDE ^{EPC}



CO₂ Technologies & Applications

Our portfolio for the chemical, power and food industry



CONTACT

CRYOTEC Anlagenbau GmbH

Dresdener Straße 76
04808 Wurzen
Germany

Phone: +49 3425 89 65 - 1610
Fax: +49 3425 89 65 - 1638
Email: contact@cryotec.de
Web: www.cryotec.de

Dealing with Large Volumes and Low Operation Costs

CO₂ recovery, purification and / or liquefaction plants provide the most efficient way for availability of Carbon dioxide for usage in breweries, chemical plants or dry ice production.

A MEMBER OF **EPC GROUP**



CRYOTEC Anlagenbau GmbH is certified per DIN EN ISO 9001

IDEAS INSIDE ^{EPC}



CO₂ Purification and / or Recovery

The most economical method to produce high-purity carbon dioxide

Carbon Dioxide Sources

- Separation from industrial / fuel gases
- Separation from combustion gases of power plants, hydrogen production, synthesis gas production
- Upgrade and efficiency enhancement in industry
- Incinerators for associated gas for „Enhanced Oil Recovery“ applications in oil and gas exploration
- From natural sources
- From dry ice production process
- From fermentation process in breweries / distilleries
- Biogas upgrade for production of Biomethane (CO₂ removal)
- CO₂ for methanation process for synthetic natural gas production (SNG)

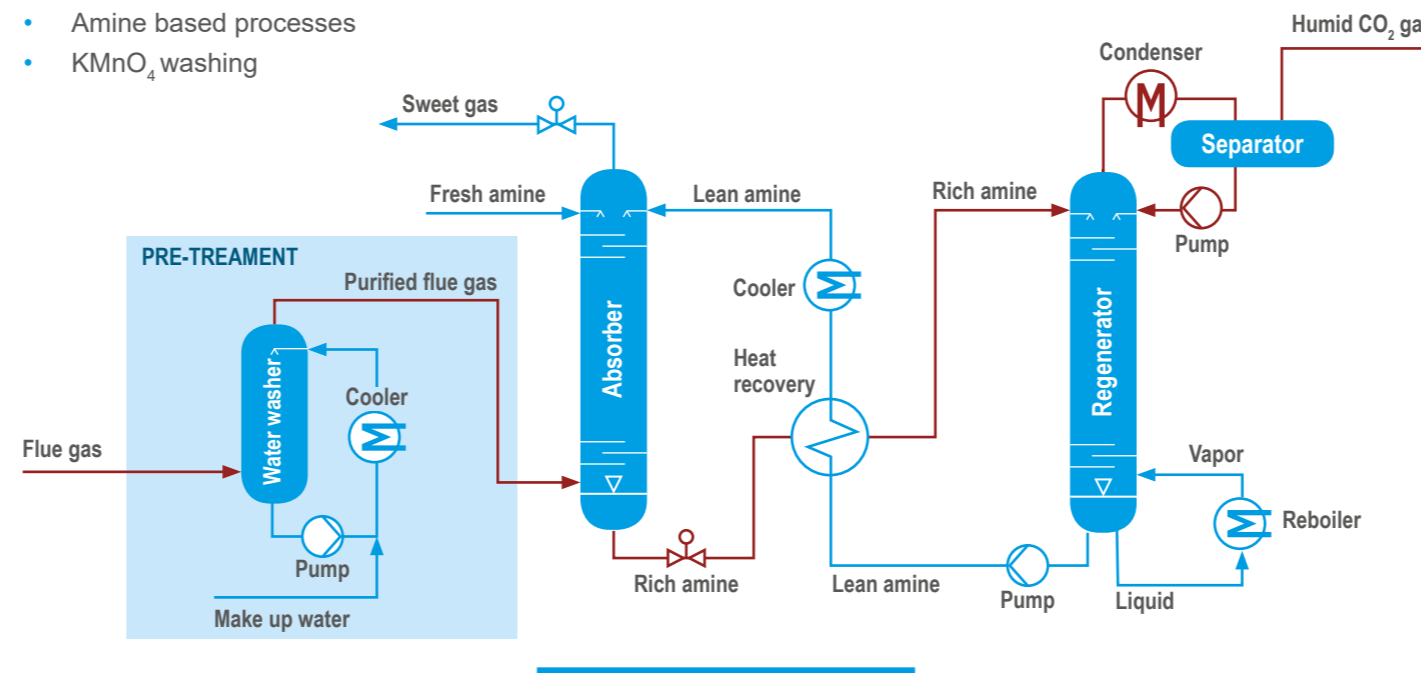
Characteristics of our plants

- Compact Installation
- Quality and functional check in CRYOTEC workshops
- Very short erection/commissioning time due to prefabricated units
- Application of well-proven equipment
- Efficient plant operation
- High product quality
- Competitive solution due to standardization



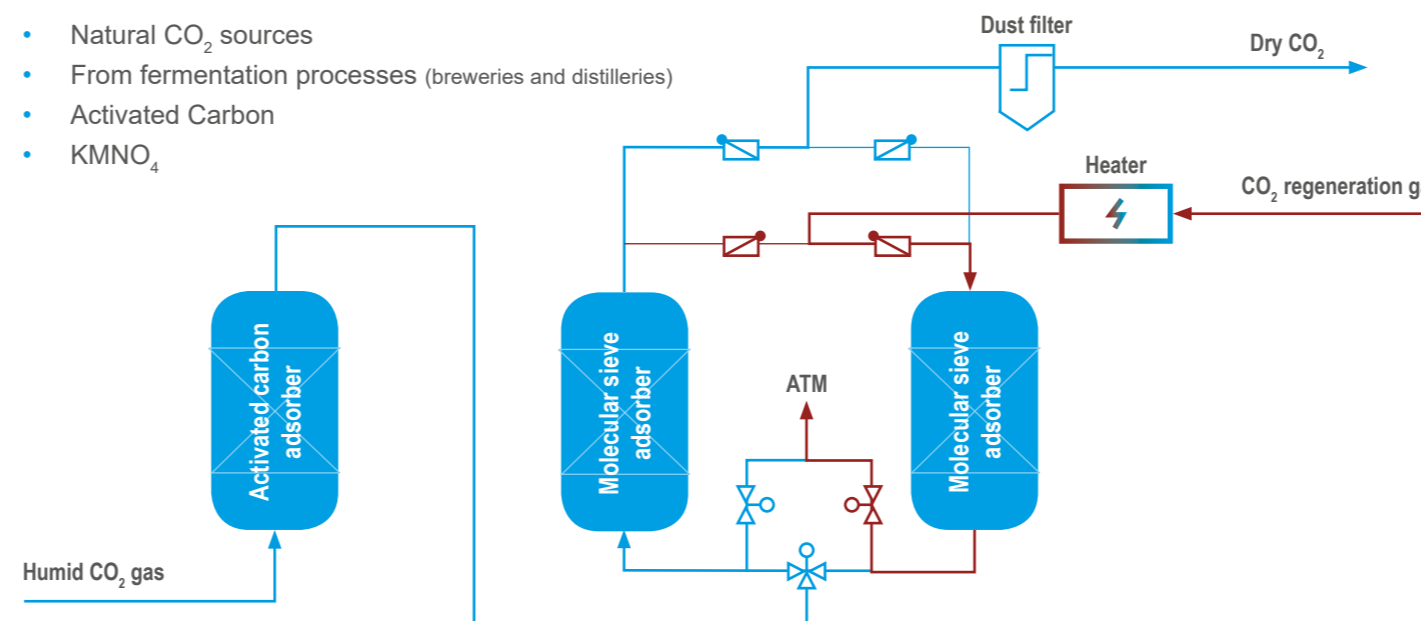
Drying / Purification

- Industrial and chemical processes (combustion processes, hydrogen production / steam reforming or synthesis gas production)
- Amine based processes
- KMnO₄ washing



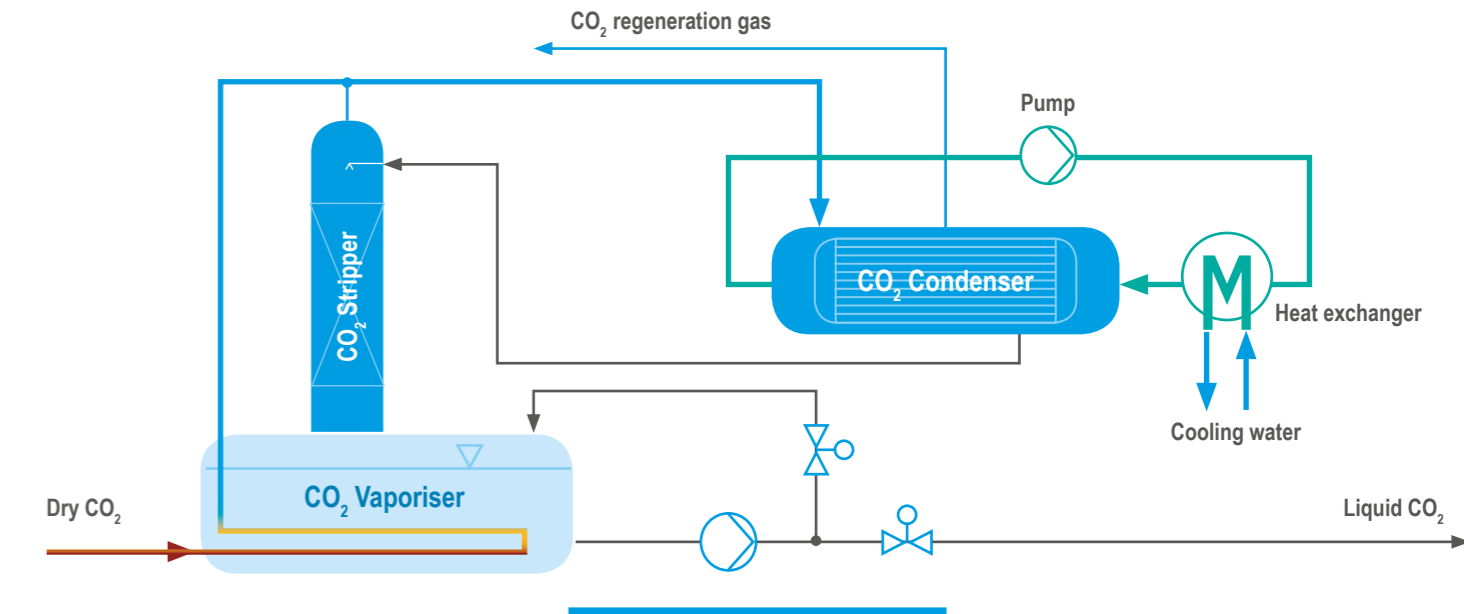
CO₂ Drier and Purification Units

- Natural CO₂ sources
- From fermentation processes (breweries and distilleries)
- Activated Carbon
- KMnO₄



CO₂ Liquefaction

- Dry Ice Production (recovery and re-liquefaction of gaseous CO₂ to generate a more efficient dry ice production process)



Carbon Dioxide Applications

Food & Beverage Industry

- as soda for beverages
- for packaging of food under protective gas atmosphere
- for greenhouses, used as fertilizer for enhancement of production
- Food and pharma grade quality acc. to EIGA standard or COCA-COLA standard

Other Applications

- for pneumatic conveying systems
- as extracting agent for essential oils
- as refrigerant agent
- and potable water technology, sea water desalination as solvent of minerals
- as shielding gas for welding
- for fire protection systems



High economic efficiency

- ✓ Low energy consumption
- ✓ Low cost for maintenance and plant operation
- ✓ Low Labor input

High plant safety

- ✓ High reliability due to high plant safety and longterm experience in process design, plant engineering and construction.



YOU WOULD LIKE TO LEARN MORE ABOUT OUR TECHNOLOGIES?

Let us know! We are looking forward to helping you.



Corinne Ziege
Head of Project Management

Phone: +49 3425 89 65 - 1677
Email: corinne.ziege@cryotec.de



Dipl.-Ing.
Hans-Jörg Schuster
Sales Engineer

Phone: +49 3425 89 65 - 1673
Email: hans-joerg.schuster@cryotec.de